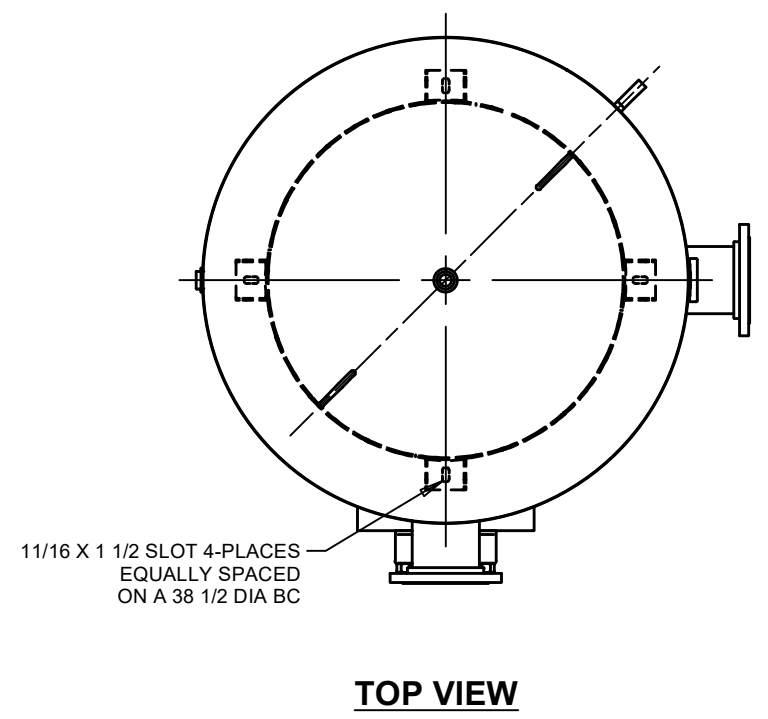
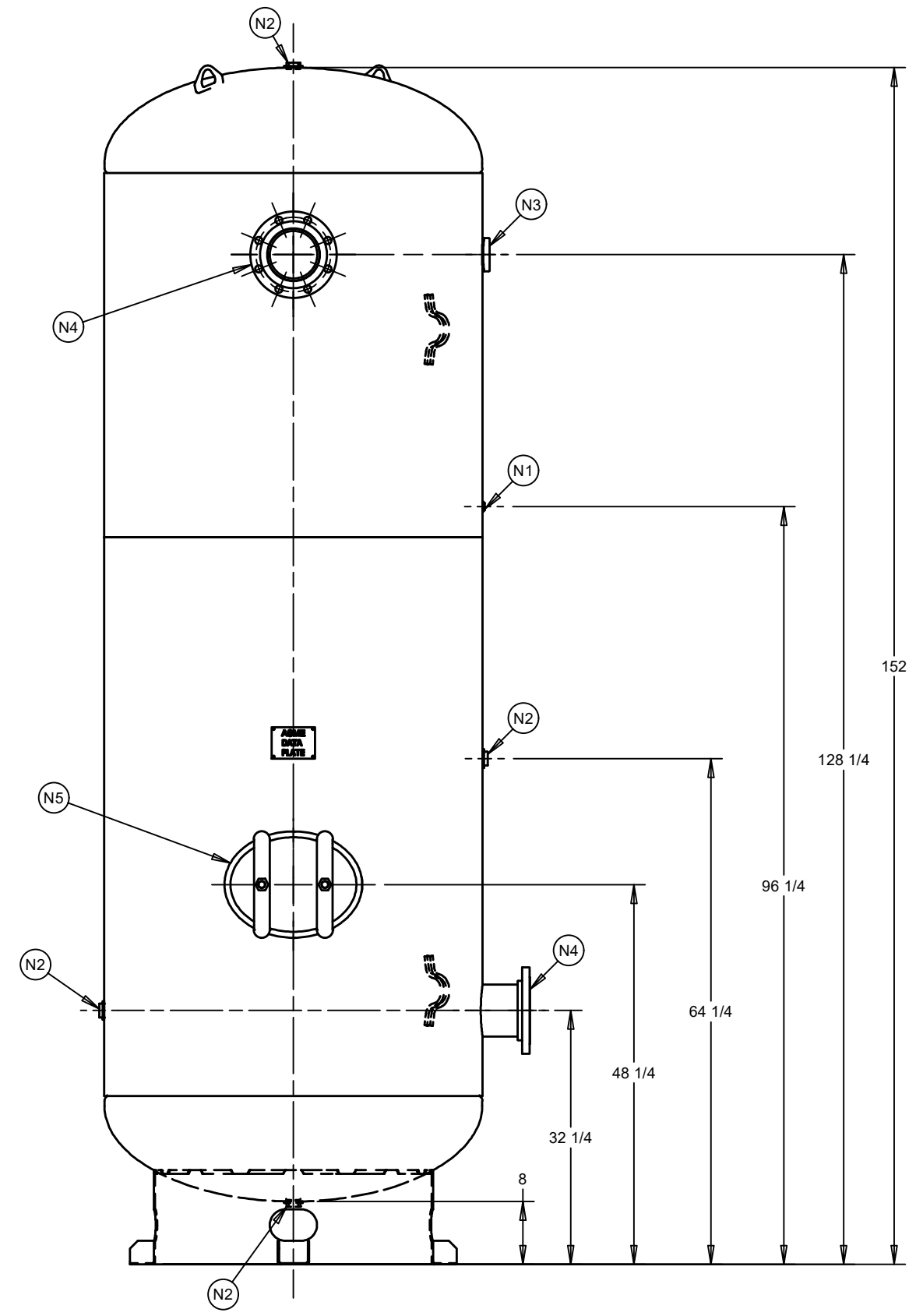


| NOZZLE CHART |          |          |
|--------------|----------|----------|
| NOZZLE ID    | NPS SIZE | TYPE     |
| N1           | 1/4      | NPT      |
| N2           | 1        | NPT      |
| N3           | 3        | NPT      |
| N4           | 6        | 150# FLG |
| N5           | MANWAY   |          |



| DESIGN INFORMATION |                     |
|--------------------|---------------------|
| SPECIFICATION      | VALUE               |
| DIAMETER O.D./I.D. | 48 O.D.             |
| MAWP               | 200 PSI AT 400°F    |
| MDMT               | -20°F AT 200 PSI    |
| CAPACITY           | APPROX 1060 GALLONS |
| SHIPPING WEIGHT    | 2670 LBS            |
| CRN                | R2127.5C            |

(BUILT IN ACCORDANCE WITH LATEST EDITION OF SECTION VIII DIV 1 ASME CODE)

THIS DRAWING & SPECIFICATIONS ARE PROPERTY OF SPVG AND MAY NOT BE COPIED, REPRODUCED, OR USED IN WHOLE OR PART, AS A BASIS FOR DESIGN MANUFACTURE OR SALE WITHOUT PRIOR PERMISSION FROM SPVG.

| REV | DESCRIPTION | BY | DATE |
|-----|-------------|----|------|
| G27 | ISSUED      |    |      |

|                                |  |              |                |                       |              |
|--------------------------------|--|--------------|----------------|-----------------------|--------------|
| TITLE<br>VERTICAL AIR RECEIVER |  |              |                |                       |              |
| CUSTOMER<br>STOCK              |  | DRAWN<br>KAT | CHECKED<br>DMM | DRAWING NO<br>C100331 | REV<br>G27   |
|                                |  | TYPE<br>ASME |                | SIZE: B               | SHEET 1 OF 1 |