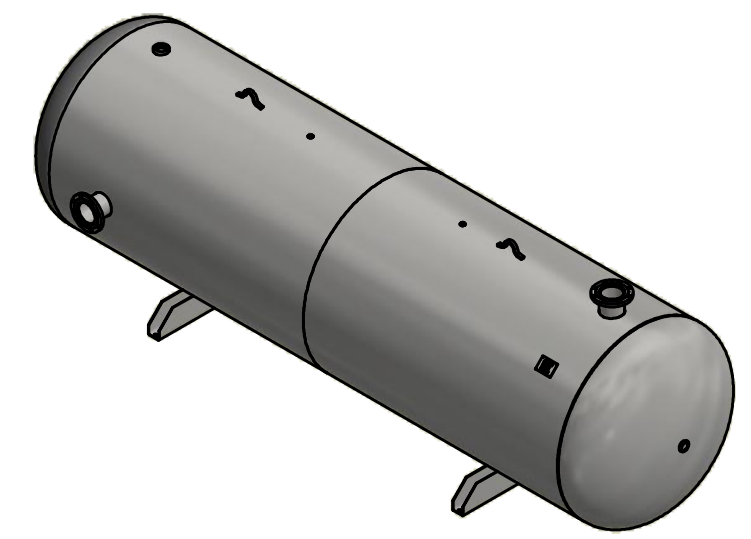
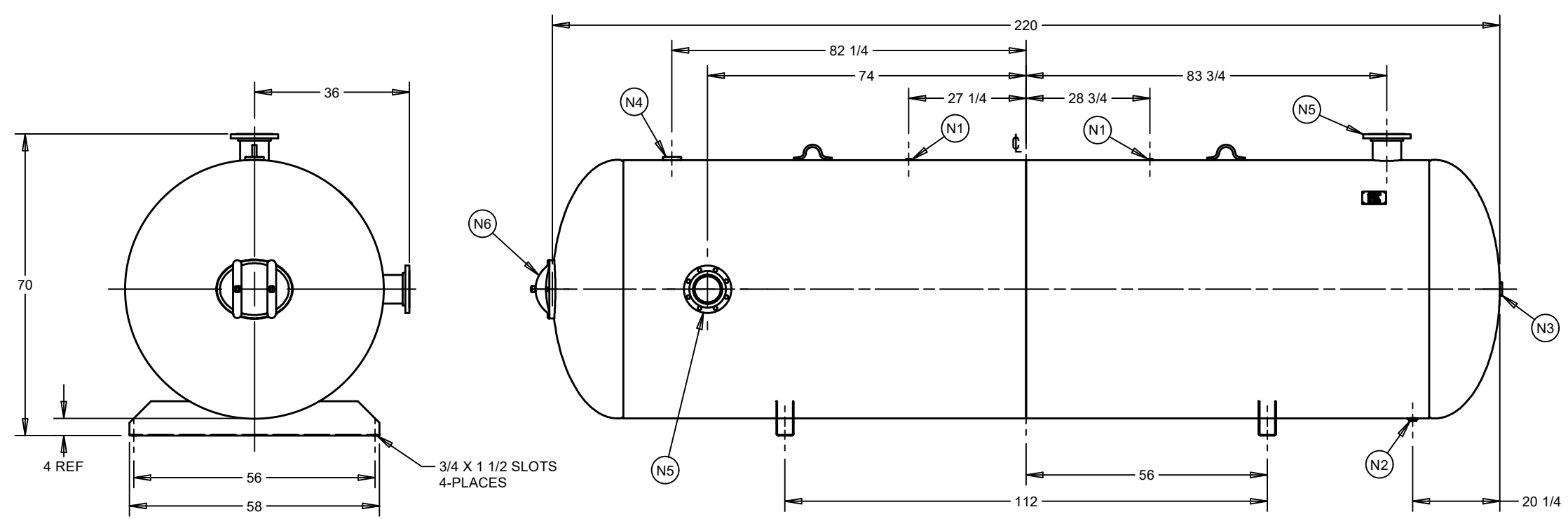


NOZZLE CHART	
NOZZLE ID	NPT SIZE
N1	1/2
N2	1
N3	2
N4	3
N5	6
N6	MANWAY



DESIGN INFORMATION	
SPECIFICATION	VALUE
DIAMETER O.D./I.D.	60 O.D.
MAWP	150 PSI AT 400°F
MDMT	-20°F AT 150 PSI
CAPACITY	APPROX 2560 GALLONS
SHIPPING WEIGHT	4301 LBS
CRN	L6794.5C

TITLE HORIZONTAL AIR RECEIVER					
CUSTOMER STOCK		DRAWN KAT	CHECKED DMM	DRAWING NO A10392	REV F16
TYPE ASME		DATE 9/30/2016	DATE 10/14/2016	SIZE: B SHEET 1 OF 1	

(BUILT IN ACCORDANCE WITH LATEST EDITION OF SECTION VIII DIV 1 ASME CODE)

THIS DRAWING & SPECIFICATIONS ARE PROPERTY OF SPVG AND MAY NOT BE COPIED, REPRODUCED, OR USED IN WHOLE OR PART, AS A BASIS FOR DESIGN MANUFACTURE OR SALE WITHOUT PRIOR PERMISSION FROM SPVG.

REV	DESCRIPTION	BY	DATE
F16	ISSUED		