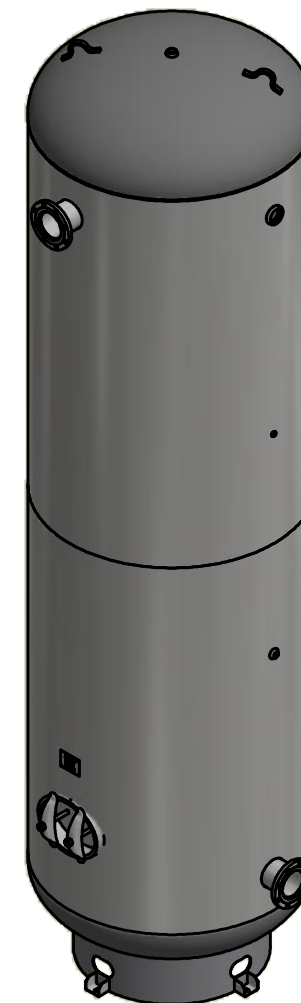
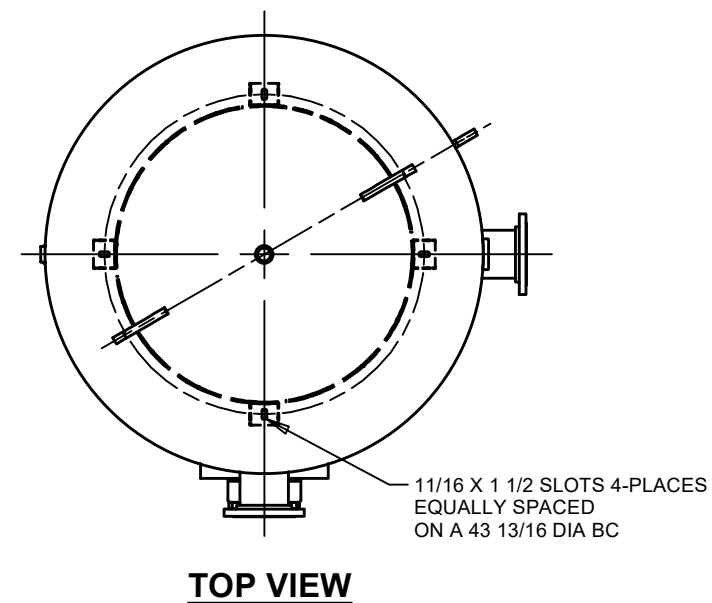
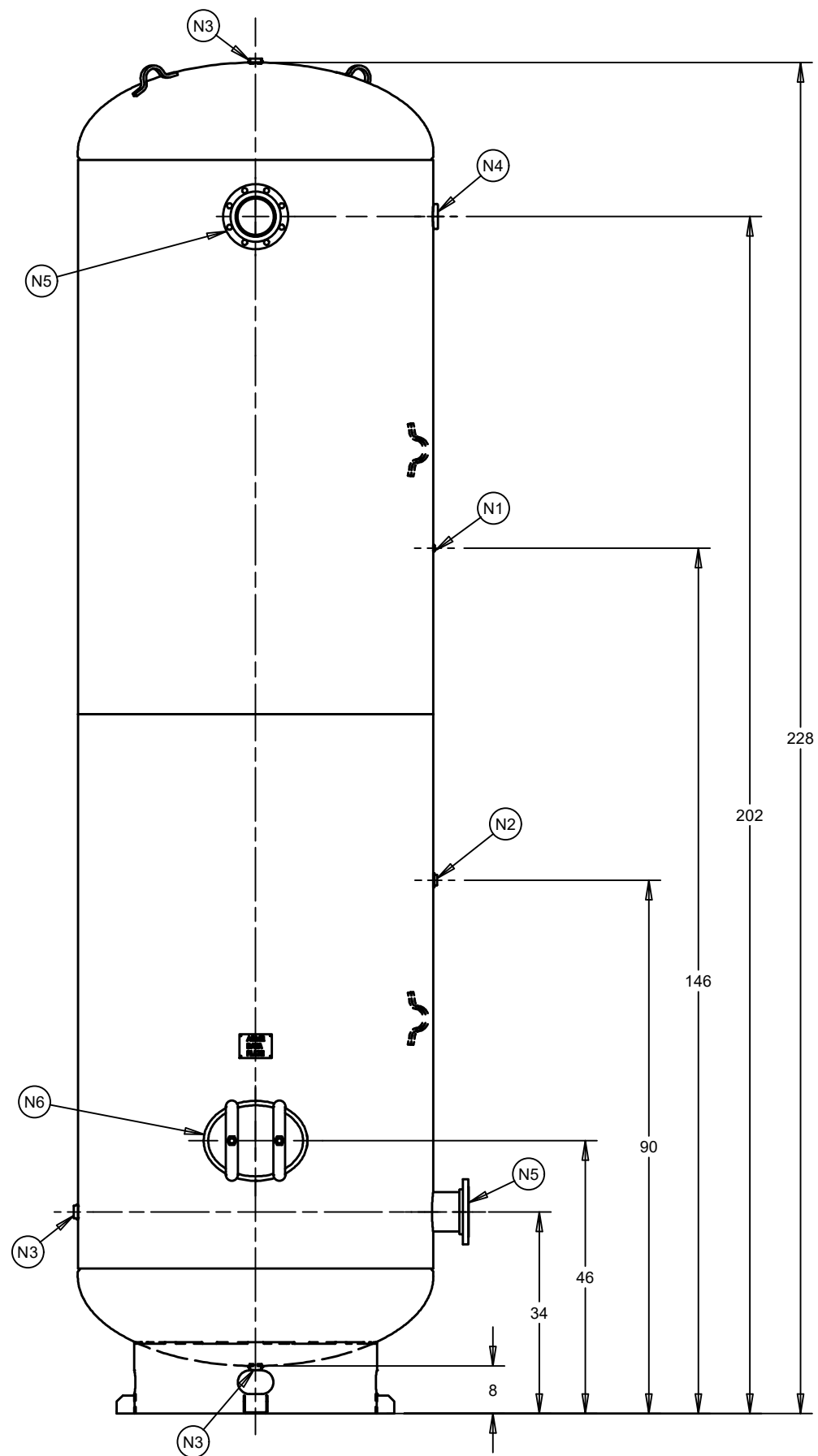


NOZZLE CHART	
NOZZLE ID	NPT SIZE
N1	1/4
N2	1
N3	1 1/4
N4	3
N5	6
N6	MANWAY



DESIGN INFORMATION	
SPECIFICATION	VALUE
DIAMETER O.D./I.D.	60 O.D.
MAWP	150 PSI AT 400°F
MDMT	-20°F AT 150 PSI
CAPACITY	APPROX 2560 GALLONS
SHIPPING WEIGHT	4314 LBS
CRN	L6794.5C

TITLE		DRAWN			
VERTICAL AIR RECEIVER		KAT			
CUSTOMER		DMM			
STOCK		10/10/2016			
TYPE		ASME			
DRAWING NO		A10336			
REV		H23			
SIZE: B		SHEET 1 OF 1			

REV	DESCRIPTION	BY	DATE
H23	ISSUED		

(BUILT IN ACCORDANCE WITH LATEST EDITION OF SECTION VIII DIV 1 ASME CODE)

THIS DRAWING & SPECIFICATIONS ARE PROPERTY OF SPVG AND MAY NOT BE COPIED, REPRODUCED, OR USED IN WHOLE OR PART, AS A BASIS FOR DESIGN MANUFACTURE OR SALE WITHOUT PRIOR PERMISSION FROM SPVG.

