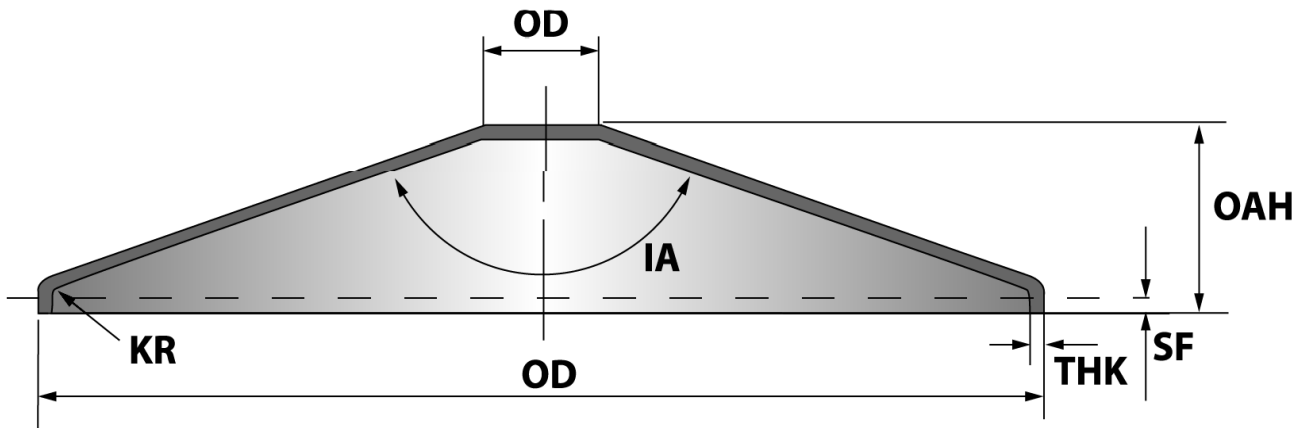


Toriconical / Cones



Key: KR-Knuckle Radius IA-Included Angle OD-Outside Diameter SF-Straight Flange THK-Thickness OAH-Overall Height

**Made to custom specifications
Thickness capabilities dependent on head Dia"**

***For Hemispherical, Toriconical, Reverse F&D and Special Heads please contact:
LZR FIT Customer Care
Ph: 715-453-5326***