

MODEL SRA 650

CONVEYORIZED, ROTARY ARM AUTOMATIC STRETCH-WRAPPER



Features

- Frame-mounted film wipe-down and cutter assembly – floor remains uncluttered
- Load-cell controlled film tension for reliable corner compensation
- EZ load film carriage
- Soft start and stop conveyor controls - standard
- Variable speed conveyors - standard
- Reversible conveyor drives - standard
- Touchscreen controlled
- Wrap overload adjustments (0"-15")
- Adjustable speed controls
- Up to 300% pre-stretch

MODEL SRA 650

CONVEYORIZED, ROTARY ARM AUTOMATIC STRETCH-WRAPPER

Standard Features

Wrapping Features

- Allen Bradley PLC
- Touchscreen control
- All functions work in both automatic and manual modes
- Adjustable armspeed (0-20 RPM)
- Adjustable film tension
- Separate top and bottom wrap selector switch (0-9)
- Emergency stop if photo-eye detects obstacles in arm's path
- NEMA 12 Control Cabinet

Film Carriage

- 20" Samuel EZ load non-slip pre-stretch carriage
- Closing the door automatically threads film
- Rollers come with a lifetime guarantee
- Power pre-stretch allows film to be stretched by 50 to 300% (set to customers needs)
- Load-cell controlled film-tension for reliable corner compensation
- Heavy duty UHMW support slides

Conveyors

- Reversible SCR motor speed controls with soft start/stop
- Photo-eyes for indexing
- 52" BFR CDLR conveyor
- 3 1/2" diameter rollers on 4 1/2" centers
- Sealed bearings
- 18" Pass height

Available Options

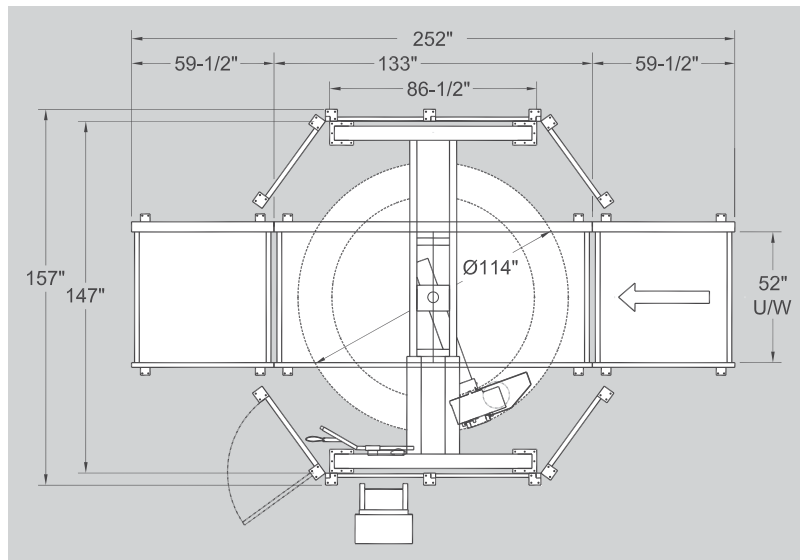
- Different width conveyor
- Different height conveyor
- Chain conveyors
- Pneumatic roping
- Product pop-up
- Scales
- Labeling
- Heat seal
- Top sheet dispenser
- Top platen
- 30" EZ load filmcarriage

Specifications

Electrical Supply	220V, 1 phase, 20 amp
UL/CSA:	Approved components
Load Size:	50" x 50"
Load Heights:	20" to 80"
CLoad Weights:	Up to 4000 lbs
Production:	40-60 loads per hour (depending on configuration)

Features and specifications subject to change without notice

Machines for larger, higher, and heavier loads are available



Represented By:

SRA 650-05/12-100448