

MODEL CD12J/CD12SJ

Advanced Strap Dispensing Solutions for all Industries



FEATURES

- Standard or Super Jumbo Coil Capacity
- Large Capacity Tower
- Quick Take-Up Response
- Self Contained Controls for Independent Operation or Systems Integration
- "Out of Strap" Switch
- Minimal Space Requirements
- Linear Bearing Carriage Travel

MODEL CD12J & CD12SJ

YOUR SUCCESS IS OUR BUSINESS

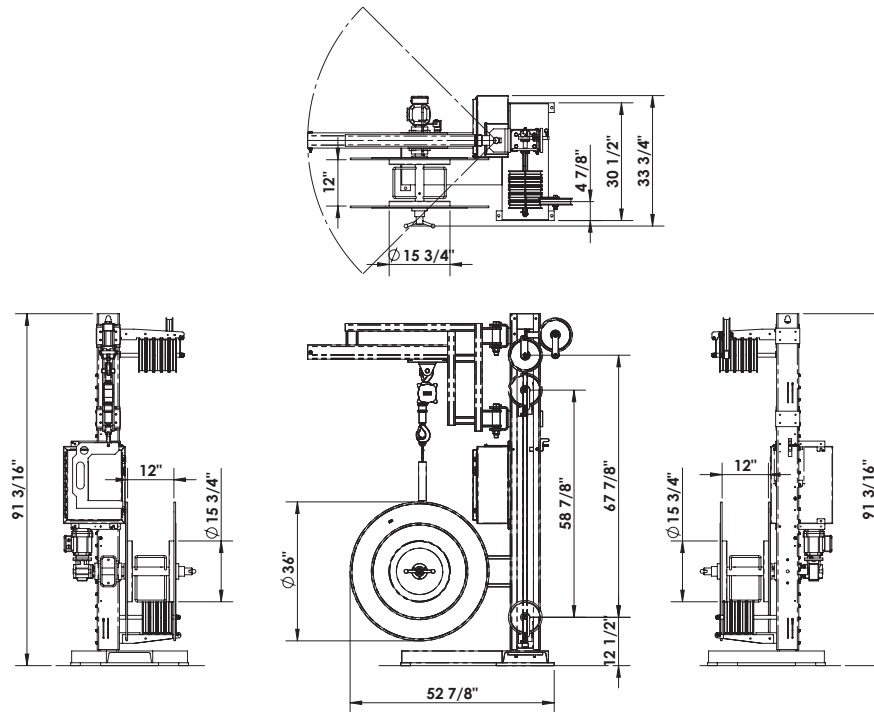
SAMUEL
1855
PACKAGING SYSTEMS GROUP

MODEL CD12J/CD12SJ

Advanced Strap Dispensing Solutions for all Industries

STANDARD FEATURES

The Samuel CD12 series Dispensers have been designed to meet the demands of today's high performance polyester unitizing machines. The versatile drum on the CD12J will hold multiple coil sizes as a standard feature, and the CD12SJ will handle Super Jumbo polyester strapping coils with coil lengths up to 23,000 feet. An easy loading jib and c-hook attachment are optional on the CD12J, and standard on the CD12SJ.



SPECIFICATIONS

| | CD12J | | CD12SJ | |
|------------------------|---------------------------|-------------------------|---------------------------|-----------------------|
| Unit Height | 2310mm | 90" | 2312mm | 91" |
| Overall Width | 714mm | 28 1/8" | 1003mm | 39 1/2" |
| Overall Length | 1280 mm | 50 1/2" | 1880mm | 74" |
| Voltage | 110V, Single Phase | | 110V, Single Phase | |
| Current | 10 Amps | | 10 Amps | |
| Max Coil Weight | 72kg | 160 lbs | 159 kg | 350 lbs |
| Max Coil O.D. | 813mm | 32" | 813mm | 32" |
| Coil I.D. | 406mm (min) / 610mm (max) | 16" (min) / 24" (max) | 406mm (min) / 610mm (max) | 16" (min) / 24" (max) |
| Coil Face Width | 152mm (min) / 190mm (max) | 6" (min) / 7 1/2" (max) | 406mm (min) / 610mm (max) | 16" (min) / 24" (max) |
| Max Drum Speed at 60HZ | 63 RPM | | 63 RPM | |
| Recommended Jog Speed | 21 RPM at 20HZ | | 21 RPM at 20HZ | |
| Feed Rate at 32" O.D. | 161 M/min | 528 FPM | 161 M/min | 528 FPM |
| Feed Rate at 16" I.D. | 80 M/min | 264 FPM | 80 M/min | 264 FPM |
| Max Tower Capacity | 11.5m | 37' 8" | 11.5m | 37' 8" |

© CD12J/CD12SJ -124702-2/18. Specifications are for guidance purposes only and subject to change without notice.

We invite you to experience the Samuel advantage by contacting us today!

packaging@samuel.com

Canada: 800-607-8727
U.S.: 800-323-4424


SAMUEL
PACKAGING SYSTEMS GROUP