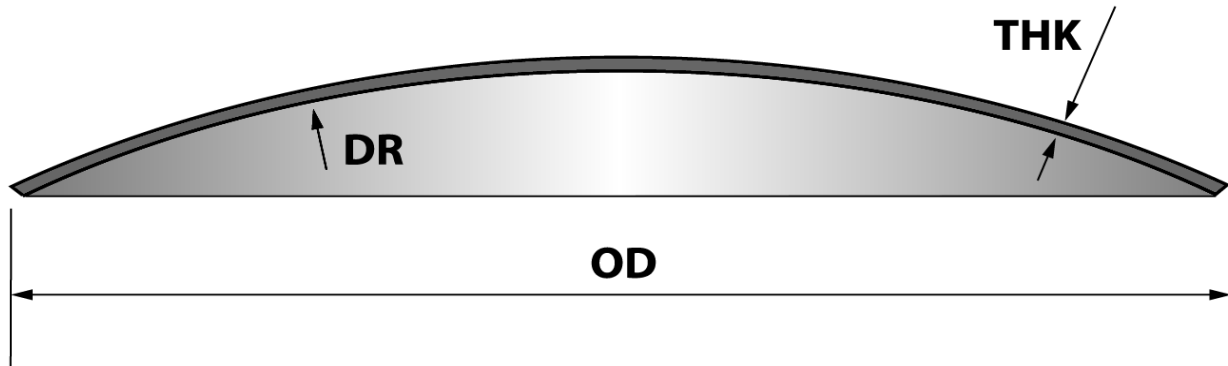


## Dished Only



**Key:** DR-Dish Radius OD-Outside Diameter THK-Thickness

### SPECIFICATIONS & CAPABILITIES

Stainless Steel Dished Only			
Head Dia Inch	Thickness Min Inch	Thickness Max Inch	Center Hole
18-26	0.075	0.5	No
27-36	0.075	0.75	No
37-61	0.075	1	No
62-96	0.105	1	No
78-180	0.188	1	No

Carbon Steel Dished Only			
Head Dia Inch	Thickness Min Inch	Thickness Max Inch	Center Hole
18-26	0.075	0.5	No
27-36	0.075	0.75	No
37-61	0.075	1	No
62-96	0.105	1	No
97-180	0.188	1	No

### TOLERANCES

DR: Made to custom specifications

Dished Only		
Head Dia Inch	Circumference Tolerance	OAH Tolerance *
18-97	+/- 0.125	OD x .006
98-180	+/- 0.3125	OD x .006

\* Minimum OAH Tolerance is .125

*For additional information please contact:*  
LZR FIT Customer Care  
Ph: 715-453-5326