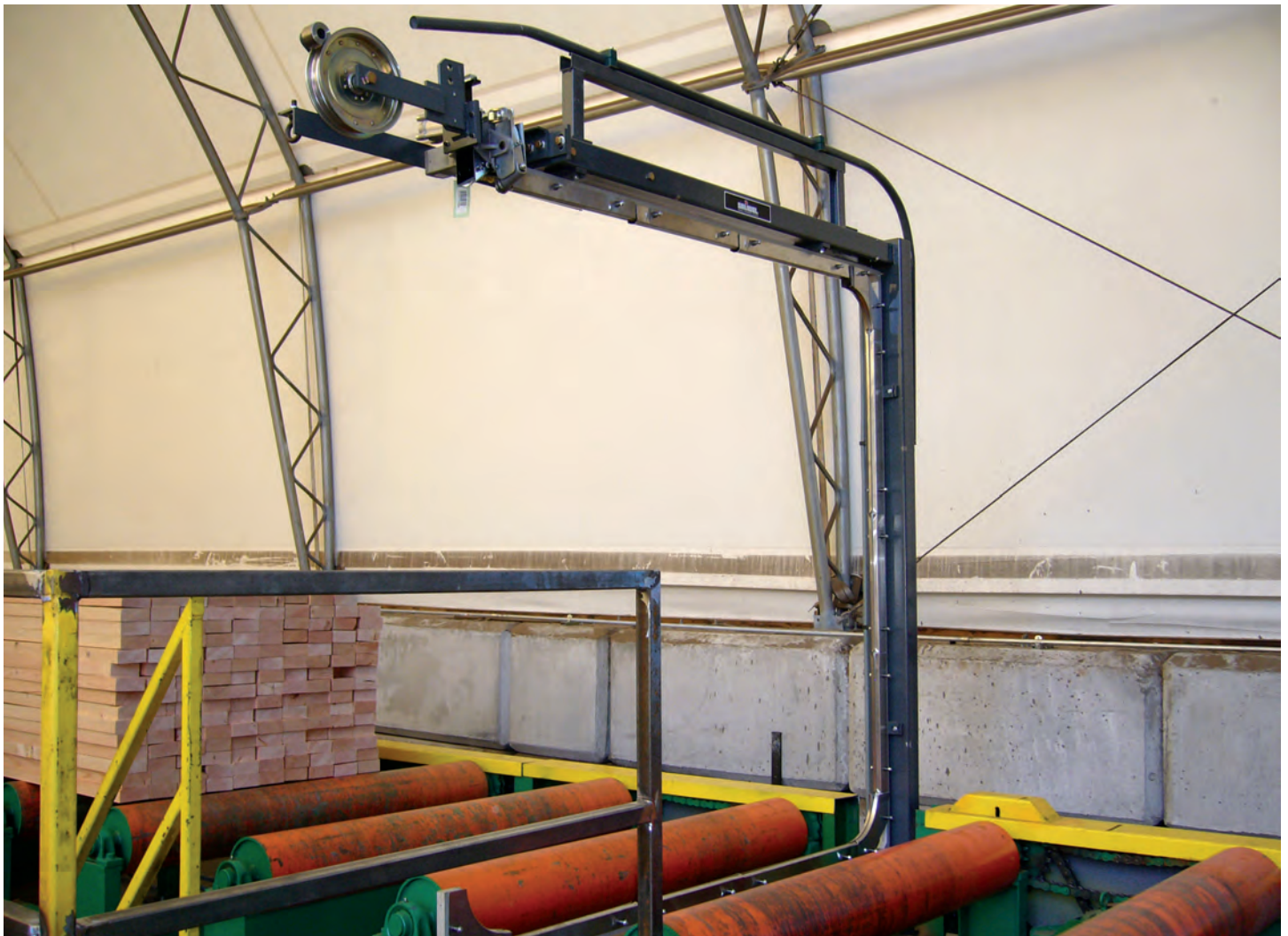


MODEL T-41

Plastic Strap Feeder

FEATURES

- Pneumatically actuated
- Feeds polyester strapping
- 72" x 72" track size
- Foot pedal actuated
- Includes integrated strapping tool suspension system
- Dispenser included 16 x 6 coils (other options available upon request)
- Optional bunk supports (not shown)
- Optional bayonet-style bottom track



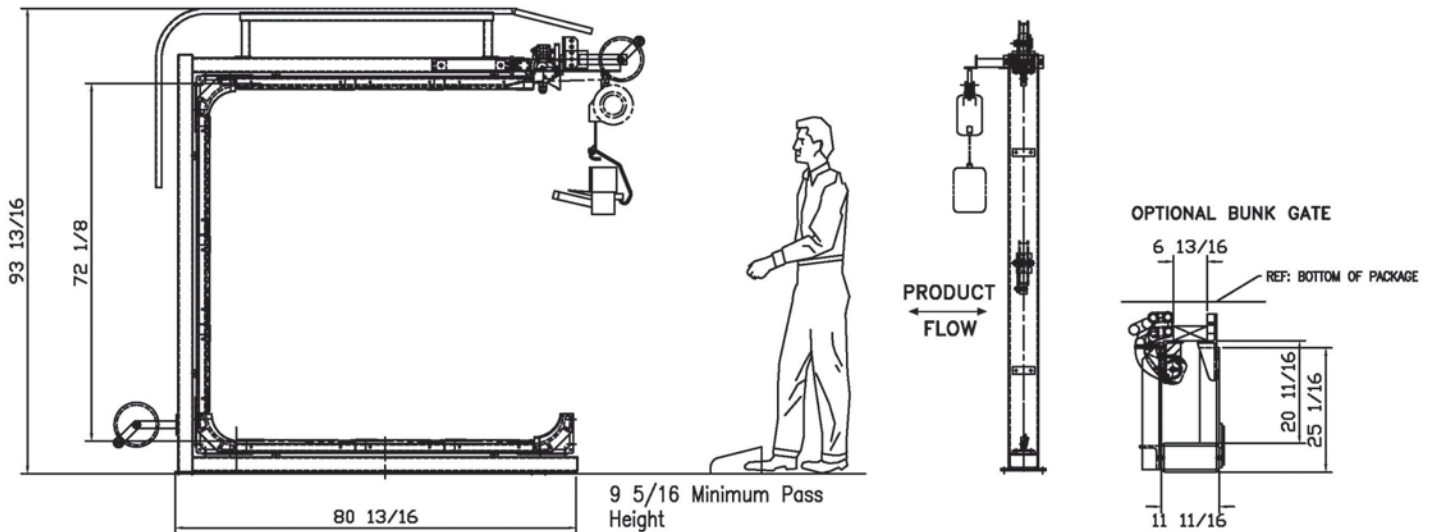
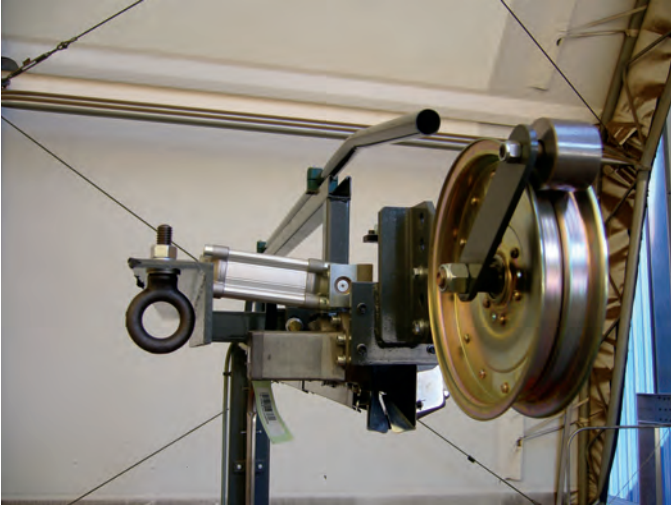
MODEL T-41

Plastic Strap Feeder

The T-41 plastic strap feeder is designed to improve just about any manual packaging process regardless of strap material, packaging size or line process by allowing strapping with only one operator, and by eliminating bending and reaching associated with completely manual strapping.

STANDARD FEATURES

- Foot pedal actuated dispenser
- Tool balancer
- Strap dispenser



© T-41-119309-11/16.

U.S.A. - 1-800-323-4424 Canada - 1-800-607-8727
information@samuelstrapping.com


SAMUEL 1855
PACKAGING SYSTEMS GROUP