

Protecting And Packaging Your

METAL RELATED PRODUCTS

Whether in transit or being stored at your facility, **Samuel Strapping Systems** understands your products require prevention against corrosion, dust, and slippage. Samuel Strapping Systems is proud to offer a wide variety of solutions that will help you ensure your product maintains its original properties and value!

VCI Protective Packaging Uses

- Automotive
- Heavy plant equipment
- Precious & semi-precious metals
- Electronics
- Primary metal producers and distributors
- Aerospace



Samuel Strapping Systems
Packaging and Unitizing Solutions

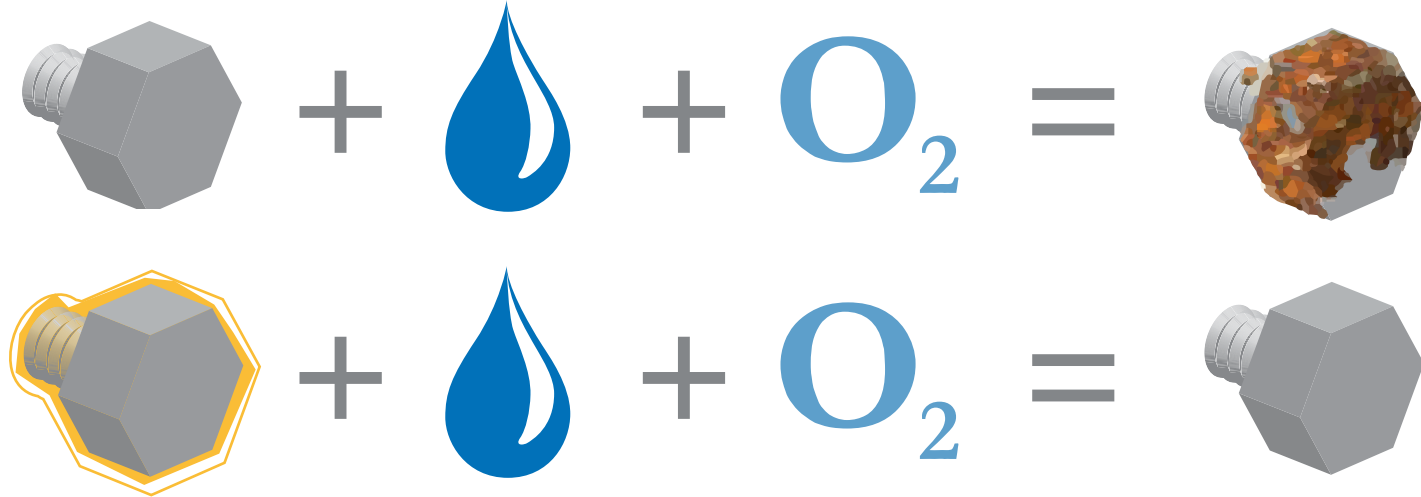
U.S.A. - 1-800-323-4424 Canada - 1-800-607-8727

www.samuelstrapping.com
www.youtube.com/samuelstrapping

PROTECTING AND PACKAGING YOUR METAL RELATED PRODUCTS

BIOTECT FILM

is a polyethylene film, which contains a combination of VCI chemicals. It protects metals through direct contact and vapor action during storage and transit. Our BioVCI® is extruded directly into the polyethylene film and not subsequently applied. As a result, the volatile and contact inhibitors provide long-term corrosion protection for the most intricate and inaccessible surfaces.



BioTect VCI Film – all based on BioVCI® technology
Removes the corrosion from the formula by metal surface passivation.

CLIMAfol – ALUMINUM COMPOUND FOIL

- Vastly reduces the moisture transmission
- Protects from the effects of weather such as sun, rain, humidity, salt water as well as dust and dirt
- A long term corrosion protection solution – up to ten years!
- This low cost solution can be applied to your high end products

VCI PAPER / VCI BAGS

- Long-time protection of steel, cast iron, chrome, copper, brass and zinc
- Protection of metals from corrosion during transportation
- Interim storage of metallic parts between the various stages of manufacturing
- Available in sheets, rolls, various weights and much more

PROUDLY OFFERING

- O.D. / I.D. EDGE BOARD
- FIBER OD AND FIBER ID PROTECTORS
- EDGE PROTECTION
- COIL WRAPPING
- METAL WRAP
- POLY COATED KRAFT
- STRETCH WRAP

COIL SEPARATORS

- Used to space coil and sheets
- Prevents edge damage of coils
- Helps unitize sheet bundles
- Safely spaces product for easy crane loading and unloading
- Eliminates moisture factor, no rust
- Up to 60" length
- Will grip the coil, reducing slippage

ID RINGS

- 20" and 24" sizes available in both steel and plastic
- Used to protect coils during strapping and handling process

METAL WRAP

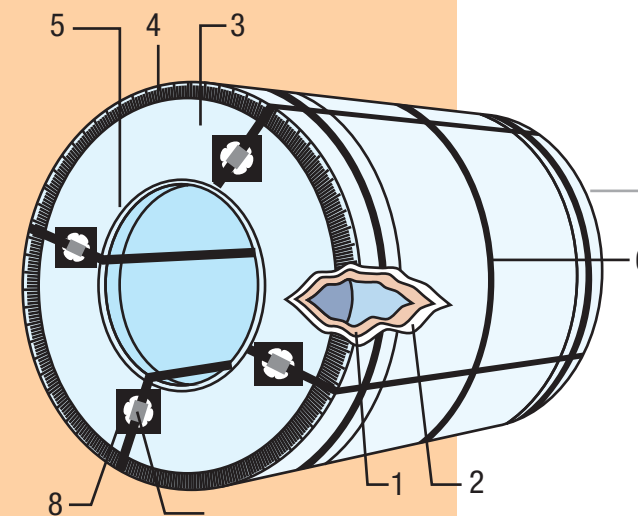
- Dirt and dust protection
- Available with Volatile Corrosion Inhibitors (VCI)
- VCI helps stop rusting and slows down the oxidation process
- 1-2 Color Custom print available

SEAL PROTECTORS

- Solid laminated fiberboard
- Raises seal above surface
- Prevents seal from surface contact
- Protects against tool gouging

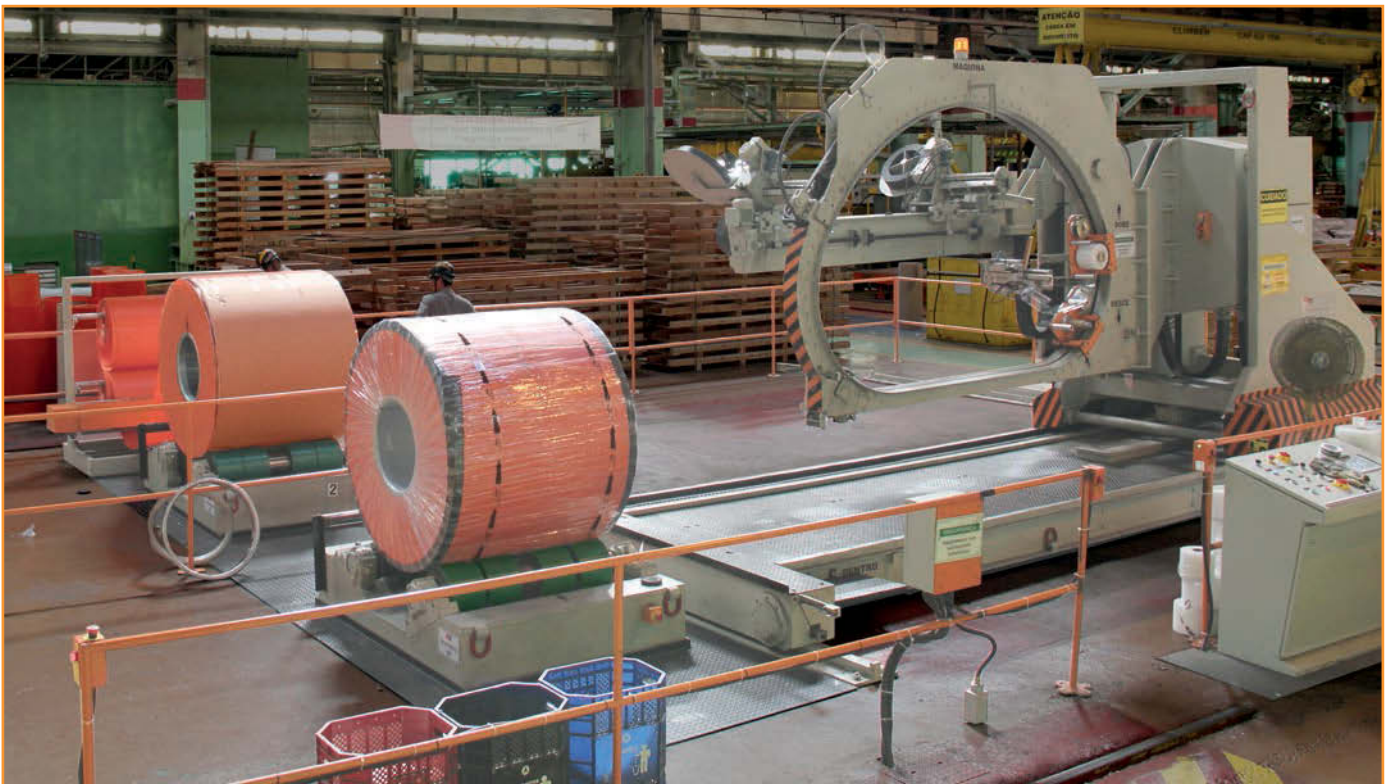
METAL COIL PACKAGING

- 1 VCI Paper
- 2 Kraft Paper/Corrugated Sheets
- 3 ID & OD Header (Plastic, Kraft or Corrugated)
- 4 Edgeboard OD Protection
- 5 Plastic/Edgeboard ID Protector
- 6 Strapping
- 7 Strapping Seal
- 8 Seal Protector



MODEL MEC DAGI-1800

AUTOMATED COIL WRAPPING MACHINE



Features

- Uses Multiple Wrapping Materials
- Consistent Wrapping Quality
- 20 Coils per Hour
- Full Protective Wrapping
- Reliable and Easy to Maintain
- Simple and Safe Operation
- Eases Labor Costs
- Fully Automatic Wrapping Cycle
- Increased Packaging Integrity
- Improved Corrosion Protection
- Manual or Automatic Controls